



**OPERATOR'S MANUAL  
MANUEL de L'UTILISATEUR  
MANUAL del OPERADOR**



**Catalog No.  
No de Cat.  
Número de Catálogo  
CP8750**

**IMPACT WRENCH  
CLÉ À PERCUSSION  
LLAVE DE IMPACTO**

***TO REDUCE THE RISK OF INJURY, USER MUST READ AND UNDERSTAND OPERATOR'S MANUAL.  
AFIN DE RÉDUIRE LE RISQUE DE BLESSURES, L'UTILISATEUR DOIT LIRE ET BIEN COMPRENDRE LE  
MANUEL DE L'UTILISATEUR.  
PARA REDUCIR EL RIESGO DE LESIONES, EL USUARIO DEBE LEER Y ENTENDER EL MANUAL DEL  
OPERADOR.***

## GENERAL SAFETY RULES



### WARNING!

#### **READ AND UNDERSTAND ALL INSTRUCTIONS**


Failure to follow all instructions listed below, may result in electric shock, fire and/or serious personal injury.

#### **SAVE THESE INSTRUCTIONS**

### WORK AREA

1. **Keep your work area clean and well lit.** Cluttered benches and dark areas invite accidents.
2. **Do not operate power tools in explosive atmospheres, such as in the presence of flammable liquids, gases, or dust.** Power tools create sparks which may ignite the dust or fumes.
3. **Keep bystanders, children, and visitors away while operating a power tool.** Distractions can cause you to lose control. Protect others in the work area from debris such as chips and sparks. Provide barriers or shields as needed.

### ELECTRICAL SAFETY

4. **Grounded tools must be plugged into an outlet properly installed and grounded in accordance with all codes and ordinances. Never remove the grounding prong or modify the plug in any way. Do not use any adaptor plugs. Check with a qualified electrician if you are in doubt as to whether the outlet is properly grounded.** If the tools should electrically malfunction or break down, grounding provides a low resistance path to carry electricity away from the user.
5. **Double Insulated tools are equipped with a polarized plug (one blade is wider than the other). This plug will fit in a polarized outlet only one way. If the plug does not fit fully in the outlet, reverse the plug. If it still does not fit, contact a qualified electrician to install a polarized outlet. Do not change the plug in any way.** Double insulation  eliminates the need for the three wire grounded power cord and grounded power supply system.
6. **Avoid body contact with grounded surfaces such as pipes, radiators, ranges and refrigerators.** There is an increased risk of electric shock if your body is grounded.
7. **Do not expose power tools to rain or wet conditions.** Water entering a power tool will increase the risk of electric shock.
8. **Do not abuse the cord. Never use the cord to carry the tools or pull the plug from an outlet. Keep cord away from heat, oil, sharp edges or moving parts. Replace damaged cords immediately.** Damaged cords increase the risk of electric shock.
9. **When operating a power tool outside, use an outdoor extension cord marked "W-A" or "W".** These cords are rated for outdoor use and reduce the risk of electric shock.

### PERSONAL SAFETY

10. **Stay alert, watch what you are doing, and use common sense when operating a power tool. Do not use tool while tired or under the influence of drugs, alcohol, or medication.** A moment of inattention while operating power tools may result in serious personal injury.
11. **Dress properly. Do not wear loose clothing or jewelry. Contain long hair. Keep your hair, clothing, and gloves away from moving parts.** Loose clothes, jewelry, or long hair can be caught in moving parts.

12. **Avoid accidental starting. Be sure switch is off before plugging in.** Carrying tools with your finger on the switch or plugging in tools with the switch on invites accidents.
13. **Remove adjusting keys or wrenches before turning the tool on.** A wrench or a key that is left attached to a rotating part of the tool may result in personal injury.
14. **Do not overreach. Keep proper footing and balance at all times.** Proper footing and balance enables better control of the tool in unexpected situations.
15. **Use safety equipment. Always wear eye protection.** Dust mask, non-skid safety shoes, hard hat, or hearing protection must be used for appropriate conditions.

### TOOL USE AND CARE

16. **Use clamps or other practical way to secure and support the workpiece to a stable platform.** Holding the work by hand or against your body is unstable and may lead to loss of control.
17. **Do not force tool. Use the correct tool for your application.** The correct tool will do the job better and safer at the rate for which it is designed.
18. **Do not use tool if switch does not turn it on or off.** Any tool that cannot be controlled with the switch is dangerous and must be repaired.
19. **Disconnect the plug from the power source before making any adjustments, changing accessories, or storing the tool.** Such preventive safety measures reduce the risk of starting the tool accidentally.
20. **Store idle tools out of reach of children and other untrained persons.** Tools are dangerous in the hands of untrained users.
21. **Maintain tools with care. Keep cutting tools sharp and clean.** Properly maintained tools with sharp cutting edge are less likely to bind and are easier to control. Do not use a damaged tool. Tag damaged tools "Do not use" until repaired.
22. **Check for misalignment or binding of moving parts, breakage of parts, and any other condition that may affect the tool's operation. If damaged, have the tool serviced before using.** Many accidents are caused by poorly maintained tools.
23. **Use only accessories that are recommended by the manufacturer for your model.** Accessories that may be suitable for one tool, may become hazardous when used on another tool.

### SERVICE







24. **Tool service must be performed only by qualified repair personnel.** Service or maintenance performed by unqualified personnel could result in a risk of injury.
25. **When servicing a tool, use only identical replacement parts. Follow instructions in the Maintenance section of this manual.** Use of unauthorized parts or failure to follow Maintenance Instructions may create a risk of electric shock or injury.

## SPECIFIC SAFETY RULES - IMPACT WRENCH

1. **Hold tool by insulated gripping surfaces when performing an operation where the cutting tool may contact hidden wiring or its own cord.** Contact with a "live" wire will make exposed metal parts of the tool "live" and shock the operator.
2. **Maintain labels and nameplates.** These carry important information. If unreadable or missing, contact a *MILWAUKEE* service facility for a free replacement.
3. **WARNING!** Some dust created by power sanding, sawing, grinding, drilling, and other construction activities contains chemicals known to cause cancer, birth defects or other reproductive harm. Some examples of these chemicals are:
  - lead from lead-based paint
  - crystalline silica from bricks and cement and other masonry products, and
  - arsenic and chromium from chemically-treated lumber.

Your risk from these exposures varies, depending on how often you do this type of work. To reduce your exposure to these chemicals: work in a well ventilated area, and work with approved safety equipment, such as those dust masks that are specially designed to filter out microscopic particles.

### Symbology

	Double Insulated
	Volts Alternating Current/ Direct Current
	Amps
	Impacts per Minute Under Load (IPM)
	Underwriters Laboratories, Inc.
	Canadian Standards Association

### Specifications

Catalog No.	Volts	Amps	No Load RPM	Drive Shank	Impacts Per Minute	Average Torque Output
<b>CP8750</b>	120 AC/DC	7	1800	1/2"	2600	300 ft.-lbs.

## FUNCTIONAL DESCRIPTION

1. Drive shank
2. Rocker switch
3. Cord



## GROUNDING



### WARNING!

Improperly connecting the grounding wire can result in the risk of electric shock. Check with a qualified electrician if you are in doubt as to whether the outlet is properly grounded. Do not modify the plug provided with the tool. Never remove the grounding prong from the plug. Do not use the tool if the cord or plug is damaged. If damaged, have it repaired by a **MILWAUKEE** service facility before use. If the plug will not fit the outlet, have a proper outlet installed by a qualified electrician.

### Grounded Tools: Tools with Three Prong Plugs

Tools marked "Grounding Required" have a three wire cord and three prong grounding plug. The plug must be connected to a properly grounded outlet (See Figure A). If the tool should electrically malfunction or break down, grounding provides a low resistance path to carry electricity away from the user, reducing the risk of electric shock.

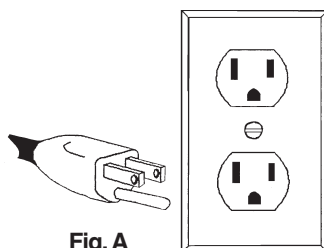


Fig. A

The grounding prong in the plug is connected through the green wire inside the cord to the grounding system in the tool. The green wire in the cord must be the only wire connected to the tool's grounding system and must never be attached to an electrically "live" terminal.

Your tool must be plugged into an appropriate outlet, properly installed and grounded in accordance with all codes and ordinances. The plug and outlet should look like those in Figure A.

### Double Insulated Tools: Tools with Two Prong Plugs

Tools marked "Double Insulated" do not require grounding. They have a special double insulation system which satisfies OSHA requirements and complies with the applicable standards of Underwriters Laboratories, Inc., the Canadian Standard Association and the National Electrical Code. Double Insulated tools may be used in either of the 120 volt outlets shown in Figures B and C.

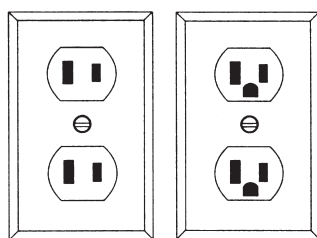


Fig. B

Fig. C

## EXTENSION CORDS

Grounded tools require a three wire extension cord. Double insulated tools can use either a two or three wire extension cord. As the distance from the supply outlet increases, you must use a heavier gauge extension cord. Using extension cords with inadequately sized wire causes a serious drop in voltage, resulting in loss of power and possible tool damage. Refer to the table shown to determine the required minimum wire size.

The smaller the gauge number of the wire, the greater the capacity of the cord. For example, a 14 gauge cord can carry a higher current than a 16 gauge cord. When using more than one extension cord to make up the total length, be sure each cord contains at least the minimum wire size required. If you are using one extension cord for more than one tool, add the nameplate amperes and use the sum to determine the required minimum wire size.

### Guidelines for Using Extension Cords

- If you are using an extension cord outdoors, be sure it is marked with the suffix "W-A" ("W" in Canada) to indicate that it is acceptable for outdoor use.
- Be sure your extension cord is properly wired and in good electrical condition. Always replace a damaged extension cord or have it repaired by a qualified person before using it.
- Protect your extension cords from sharp objects, excessive heat and damp or wet areas.

### Recommended Minimum Wire Gauge for Extension Cords\*

Nameplate Amperes	Extension Cord Length					
	25'	50'	75'	100'	150'	200'
0 - 5	16	16	16	14	12	12
5.1 - 8	16	16	14	12	10	--
8.1 - 12	14	14	12	10	--	--
12.1 - 15	12	12	10	10	--	--
15.1 - 20	10	10	10	--	--	--

\* Based on limiting the line voltage drop to five volts at 150% of the rated amperes.

**READ AND SAVE ALL INSTRUCTIONS FOR  
FUTURE USE.**



**WARNING!**

To reduce the risk of injury, always unplug tool before attaching or removing accessories or making adjustments. Use only specifically recommended accessories. Others may be hazardous.

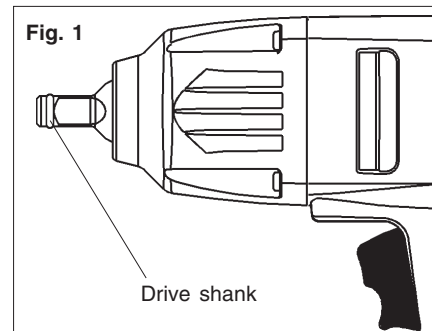


**WARNING!**

Use only sockets and other accessories specifically designed for use on impact wrenches and drivers. Other sockets and accessories might shatter or break causing injury.

**Attaching and Removing Accessories (Fig. 1)**

This impact wrench is intended only for use with sockets designed for impact wrenches and that have a 1/2" square drive. Other sockets could shatter or break, causing injury.



1. To attach a socket or other accessory, push the accessory onto the drive shank until it snaps into place.
2. To remove the accessory, pull it off the drive shank.

## OPERATION



### WARNING!

To reduce the risk of injury, wear safety goggles or glasses with side shields.

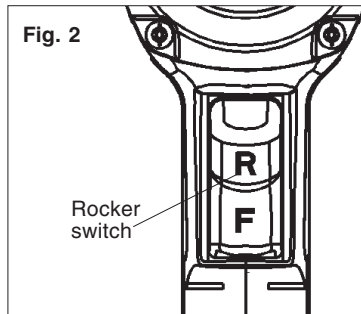


### WARNING!

To reduce the risk of injury, only grasp tool by handle and black insulated surfaces. Do not hold gray gear case when impacting or drilling.

### Starting and Stopping the Tool (Fig. 2)

This impact wrench is equipped with a rocker switch that offers both forward and reverse rotation.



1. For **forward** (clockwise) rotation, pull the lower portion of the switch.
2. For **reverse** (counterclockwise) rotation, pull the upper portion of the switch.

**NOTE:** To prevent damage to the motor and internal mechanism, allow the motor to stop completely before switching from forward to reverse or from reverse to forward.

### Impacting Techniques

The longer a bolt, screw, or nut is impacted, the tighter it will become. To help prevent damaging the fasteners or workpieces, avoid excessive impacting. Be particularly careful when impacting smaller fasteners because they require less impacting to reach optimum torque.

Practice with various fasteners, noting the length of time required to reach the desired torque. Check the tightness with a hand-torque wrench. If the fasteners are too tight, reduce the impacting time. If they are not tight enough, increase the impacting time.

Impacting for two seconds is generally sufficient for a 3/8" bolt and one second for a 5/16" bolt. However, oil, dirt, rust or other matter on the threads or under the head of the fastener affects the degree of tightness.

The torque required to loosen a fastener averages 75% to 80% of the tightening torque, depending on the condition of the contacting surfaces.

On light gasket jobs, run each fastener down to a relatively light torque and use a hand torque wrench for final tightening.



### WARNING!

To reduce the risk of injury, keep hands and cord away from the bit and all moving parts.



### WARNING!

To reduce the risk of explosion, electric shock and property damage, always check the work area for hidden pipes and wires before drilling.

## MAINTENANCE



### WARNING!

To reduce the risk of injury, always unplug your tool before performing any maintenance. Never disassemble the tool or try to do any rewiring on the tool's electrical system. Contact a **MILWAUKEE** service facility for ALL repairs.



### WARNING!

To reduce the risk of injury, electric shock and damage to the tool, never immerse your tool in liquid or allow a liquid to flow inside the tool.

### Maintaining Tools

Keep your tool in good repair by adopting a regular maintenance program. Before use, examine the general condition of your tool. Inspect guards, switches, tool cord set and extension cord for damage. Check for loose screws, misalignment, binding of moving parts, improper mounting, broken parts and any other condition that may affect its safe operation. If abnormal noise or vibration occurs, turn the tool off immediately and have the problem corrected before further use. Do not use a damaged tool. Tag damaged tools "DO NOT USE" until repaired (see "Repairs").

Under normal conditions, relubrication is not necessary until the motor brushes need to be replaced. After six months to one year, depending on use, return your tool to the nearest **MILWAUKEE** service facility for the following:

- Lubrication
- Brush inspection and replacement
- Mechanical inspection and cleaning (gears, spindles, bearings, housing, etc.)
- Electrical inspection (switch, cord, armature, etc.)
- Testing to assure proper mechanical and electrical operation

### Cleaning

Clean dust and debris from vents. Keep the tool handles clean, dry and free of oil or grease. Use only mild soap and a damp cloth to clean your tool since certain cleaning agents and solvents are harmful to plastics and other insulated parts. Some of these include: gasoline, turpentine, lacquer thinner, paint thinner, chlorinated cleaning solvents, ammonia and household detergents containing ammonia. Never use flammable or combustible solvents around tools.

### Repairs

If your tool is damaged, return the entire tool to the nearest service center listed on the back cover of this operator's manual.

## WARRANTY

### Chicago Pneumatic Tool Company Limited Warranty and Service Policy

Products of the Chicago Pneumatic Tool Company ("CP") are warranted to be free from defects in material and workmanship for one year from the date of purchase. This warranty applies only to Products purchased new from CP or its authorized dealers. Of course this warranty does not apply to Products which have been abused, modified, or repaired by someone other than CP or its Authorized Service Representatives.

If a CP Product proves defective in material or workmanship within one year after purchase, return it to any Authorized Service Center\* transportation prepaid, enclosing your name and address, adequate proof of date of purchase and a short description of the defect. CP (or its affiliate) will, at its option, repair or replace defective Products free of charge. Repairs or replacements are warranted as described above for the remainder of the original warranty period. CP's sole liability and your exclusive remedy under this Warranty is limited to repair or replacement of the defective Product.

**THE FOREGOING WARRANTY IS EXCLUSIVE AND IN LIEU OF ALL OTHER WARRANTIES, OR CONDITIONS, WRITTEN OR ORAL, EXPRESSED OR IMPLIED, INCLUDING, WITHOUT LIMITATION, ALL WARRANTIES OR CONDITIONS, OR MERCHANTABILITY OR FITNESS FOR A PARTICULAR PURPOSE, ALLOF WHICH ARE HEREBY DISCLAIMED. THERE SHALL BE NO LIABILITY FOR INCIDENTAL, CONSEQUENTIAL OR SPECIAL DAMAGES, OR ANY OTHER DAMAGES, COSTS OR EXPENSES, EXCEPTING ONLY THE COST OR EXPENSE OF REPLACEMENT OR REPAIR.**

Use only authorized parts. Any damage or malfunction caused by the use of unauthorized parts is not covered by Warranty. This warranty gives specific legal rights. Consumers may have other rights under state or federal law.

Chicago Pneumatic Tool Company  
1800 Overview Drive  
Rock Hill, South Carolina 29730-7463

\* CP Products described in this manual may be sent to any **MILWAUKEE ELECTRIC TOOL CORPORATION** Branch Office/Service Center or Authorized **MILWAUKEE** Service Station for repair. See back page for information on how to locate a facility nearest you.

## RÈGLES DE SÉCURITÉ GÉNÉRALES



### AVERTISSEMENT!

#### **VOUS DEVEZ LIRE ET COMPRENDRE TOUTES LES INSTRUCTIONS**


Le non-respect, même partiel, des instructions ci-après entraîne un risque de choc électrique, d'incendie et/ou de blessures graves.

#### **CONSERVEZ CES INSTRUCTIONS**

### AIRE DE TRAVAIL

1. **Veillez à ce que l'aire de travail soit propre et bien éclairée.** Le désordre et le manque de lumière favorisent les accidents.
2. **N'utilisez pas d'outils électriques dans une atmosphère explosive, par exemple en présence de liquides, de gaz ou de poussières inflammables.** Les outils électriques créent des étincelles qui pourraient enflammer les poussières ou les vapeurs.
3. **Tenez à distance les curieux, les enfants et les visiteurs pendant que vous travaillez avec un outil électrique.** Ils pourraient vous distraire et vous faire faire une fausse manoeuvre. Installez des barrières ou des écrans protecteurs si nécessaire.

### SÉCURITÉ ÉLECTRIQUE

4. **Les outils mis à la terre doivent être branchés dans une prise de courant correctement installée et mise à la terre conformément à tous les codes et règlements pertinents. Ne modifiez jamais la fiche de quelque façon que ce soit, par exemple en enlevant la broche de mise à la terre. N'utilisez pas d'adaptateur de fiche. Si vous n'êtes pas certain que la prise de courant est correctement mise à la terre, adressez-vous à un électricien qualifié.** En cas de défaillance ou de défectuosité électrique de l'outil, une mise à la terre offre un trajet de faible résistance à l'électricité qui autrement risquerait de traverser l'utilisateur.
5. **Les outils à double isolation sont équipés d'une fiche polarisée (une des lames est plus large que l'autre), qui ne peut se brancher que d'une seule façon dans une prise polarisée. Si la fiche n'entre pas parfaitement dans la prise, inversez sa position ; si elle n'entre toujours pas bien, demandez à un électricien qualifié d'installer une prise de courant polarisée. Ne modifiez pas la fiche de l'outil.** La double isolation  élimine le besoin d'un cordon d'alimentation à trois fils avec mise à la terre ainsi que d'une prise de courant mise à la terre.
6. **Évitez tout contact corporel avec des surfaces mises à la terre (tuyauterie, radiateurs, cuisinières, réfrigérateurs, etc.).** Le risque de choc électrique est plus grand si votre corps est en contact avec la terre.
7. **N'exposez pas les outils électriques à la pluie ou à l'eau.** La présence d'eau dans un outil électrique augmente le risque de choc électrique.
8. **Ne maltraitez pas le cordon. Ne transportez pas l'outil par son cordon et ne débranchez pas la fiche en tirant sur le cordon. N'exposez pas le cordon à la chaleur, à des huiles, à des arêtes vives ou à des pièces en mouvement. Remplacez immédiatement un cordon endommagé.** Un cordon endommagé augmente le risque de choc électrique.
9. **Lorsque vous utilisez un outil électrique à l'extérieur, employez un prolongateur pour l'extérieur marqué « W-A » ou « W ».** Ces cordons sont faits pour être utilisés à l'extérieur et réduisent le risque de choc électrique.

### SÉCURITÉ DES PERSONNES

10. **Restez alerte, concentrez-vous sur votre travail et faites preuve de jugement. N'utilisez pas un outil électrique si vous êtes fatigué ou sous l'influence de drogues, d'alcool ou de médicaments.** Un instant d'inattention suffit pour entraîner des blessures graves.
11. **Habillez-vous convenablement. Ne portez ni vêtements flottants ni bijoux. Confinez les cheveux longs. N'approchez jamais les cheveux, les vêtements ou les gants des pièces en mouvement.** Des vêtements flottants, des bijoux ou des cheveux longs risquent d'être happés par des pièces en mouvement.

12. **Méfiez-vous d'un démarrage accidentel. Avant de brancher l'outil, assurez-vous que son interrupteur est sur ARRÊT.** Le fait de transporter un outil avec le doigt sur la détente ou de brancher un outil dont l'interrupteur est en position MARCHE peut mener tout droit à un accident.
13. **Enlevez les clés de réglage ou de serrage avant de démarrer l'outil.** Une clé laissée dans une pièce tournante de l'outil peut provoquer des blessures.
14. **Ne vous penchez pas trop en avant. Maintenez un bon appui et restez en équilibre en tout temps.** Une bonne stabilité vous permet de mieux réagir à une situation inattendue.
15. **Utilisez des accessoires de sécurité. Portez toujours des lunettes ou une visière.** Selon les conditions, portez aussi un masque antipoussière, des bottes de sécurité antidérapantes, un casque protecteur et/ou un appareil antibruit.

### UTILISATION ET ENTRETIEN DES OUTILS

16. **Immobilisez le matériau sur une surface stable au moyen de brides ou de toute autre façon adéquate.** Le fait de tenir la pièce avec la main ou contre votre corps offre une stabilité insuffisante et peut amener un dérapage de l'outil.
17. **Ne forcez pas l'outil. Utilisez l'outil approprié à la tâche.** L'outil correct fonctionne mieux et de façon plus sécuritaire. Respectez aussi la vitesse de travail qui lui est propre.
18. **N'utilisez pas un outil si son interrupteur est bloqué.** Un outil que vous ne pouvez pas commander par son interrupteur est dangereux et doit être réparé.
19. **Débranchez la fiche de l'outil avant d'effectuer un réglage, de changer d'accessoire ou de ranger l'outil.** De telles mesures préventives de sécurité réduisent le risque de démarrage accidentel de l'outil.
20. **Rangez les outils hors de la portée des enfants et d'autres personnes inexpérimentées.** Les outils sont dangereux dans les mains d'utilisateurs novices.
21. **Prenez soin de bien entretenir les outils. Les outils de coupe doivent être toujours bien affûtés et propres.** Des outils bien entretenus, dont les arêtes sont bien tranchantes, sont moins susceptibles de coincer et plus faciles à diriger. N'utilisez pas un outil défectueux. Fixez-y une étiquette marquée « Hors d'usage » jusqu'à ce qu'il soit réparé.
22. **Soyez attentif à tout désalignement ou coincement des pièces en mouvement, à tout bris ou à toute autre condition préjudiciable au bon fonctionnement de l'outil. Si vous constatez qu'un outil est endommagé, faites-le réparer avant de vous en servir.** De nombreux accidents sont causés par des outils en mauvais état.
23. **N'utilisez que des accessoires que le fabricant recommande pour votre modèle d'outil.** Certains accessoires peuvent convenir à un outil, mais être dangereux avec un autre.

### RÉPARATION

24. **La réparation des outils électriques doit être confiée à un réparateur qualifié.** L'entretien ou la réparation d'un outil électrique par un amateur peut avoir des conséquences graves.
25. **Pour la réparation d'un outil, n'employez que des pièces de rechange d'origine. Suivez les directives données à la section « Réparation » de ce manuel.** L'emploi de pièces non autorisées ou le non-respect des instructions d'entretien peut créer un risque de choc électrique ou de blessures.









## RÈGLES DE SÉCURITÉ PARTICULIÈRE - CLÉ À PERCUSSION

1. **Tenez l'outil par ses parties isolées lorsqu'il y a risque de contact de l'outil avec des fils sous tension ou même, le cordon de l'outil.** Le contact d'une partie métallique de l'outil avec un fil « sous tension » comporte un risque de choc électrique.
2. **Entretenez les étiquettes et marques du fabricant.** Les indications qu'elles contiennent sont précieuses. Si elles deviennent illisibles ou se détachent, faites-les remplacer gratuitement à un centre de service **MILWAUKEE** accrédité.
3. **AVERTISSEMENT!** La poussière dégagée par perçage, sciage et autres travaux de construction contient des substances chimiques reconnues comme pouvant causer le cancer, des malformations congénitales ou d'autres troubles de reproduction. Voici quelques exemples de telles substances :
  - Le plomb contenu dans la peinture au plomb.
  - Le silice cristallin contenu dans la brique, le béton et divers produits de maçonnerie.
  - L'arsenic et le chrome servant au traitement chimique du bois.

Les risques associés à l'exposition à ces substances varient, dépendant de la fréquence des travaux. Afin de minimiser l'exposition à ces substances chimiques, assurez-vous de travailler dans un endroit bien aéré et d'utiliser de l'équipement de sécurité tel un masque antipoussière spécifiquement conçu pour la filtration de particules microscopiques.

### Pictographie

	Double Isolation
	Courant alternatif ou direct en Volts
	Ampères
	Impacts par minute à charge (IPM)
	Underwriters Laboratories Inc.
	l'Association canadienne de normalisation (ACNOR)

### Spécifications

No de Cat.	Volts	Ampères	Tr/min. à vide	Pivot d'entraînement carré	Coups-Minute	Sortie de couple moyenne
<b>CP8750</b>	120 CA/CD	7	1 800	1/2"	2 600	407 Nm (300 ft-lbs.)

### DESCRIPTION FONCTIONNELLE

1. Pivot d'entraînement carré
2. Interrupteur à bascule
3. Cordon



## MISE À LA TERRE



**Si le fil de mise à la terre est incorrectement raccordé, il peut en résulter des risques de choc électrique. Si vous n'êtes pas certain que la prise dont vous vous servez est correctement mise à la terre, faites-la vérifier par un électricien. N'altérez pas la fiche du cordon de l'outil. N'enlevez pas de la fiche, la dent qui sert à la mise à la terre. N'employez pas l'outil si le cordon ou la fiche sont en mauvais état. Si tel est le cas, faites-les réparer dans un centre-service MILWAUKEE accrédité avant de vous en servir. Si la fiche du cordon ne s'adapte pas à la prise, faites remplacer la prise par un électricien.**

### Outils mis à la terre : Outils pourvus d'une fiche de cordon à trois dents

Les outils marqués « Mise à la terre requise » sont pourvus d'un cordon à trois fils dont la fiche a trois dents. La fiche du cordon doit être branchée sur une prise correctement mise à la terre (voir Figure A). De cette façon, si une défectuosité dans le circuit électrique de l'outil survient, le relais à la terre fournira un conducteur à faible résistance pour décharger le courant et protéger l'utilisateur contre les risques de choc électrique.

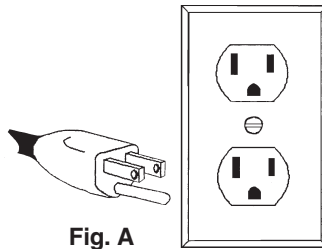


Fig. A

La dent de mise à la terre de la fiche est reliée au système de mise à la terre de l'outil via le fil vert du cordon. Le fil vert du cordon doit être le seul fil raccordé à un bout au système de mise à la terre de l'outil et son autre extrémité ne doit jamais être raccordée à une borne sous tension électrique.

Votre outil doit être branché sur une prise appropriée, correctement installée et mise à la terre conformément aux codes et ordonnances en vigueur. La fiche du cordon et la prise de courant doivent être semblables à celles de la Figure A.

### Outils à double isolation : Outils pourvus d'une fiche de cordon à deux dents

Les outils marqués « Double Isolation » n'ont pas besoin d'être raccordés à la terre. Ils sont pourvus d'une double isolation conforme aux exigences de l'OSHA et satisfont aux normes de l'Underwriters Laboratories, Inc., de l'Association canadienne de normalisation (ACNOR) et du « National Electrical Code » (code national de l'électricité). Les outils à double isolation peuvent être branchés sur n'importe laquelle des prises à 120 volt illustrées ci-contre Figure B et C.

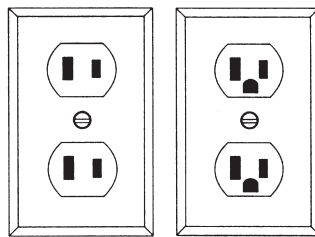


Fig. B

Fig. C

## CORDONS DE RALLONGE

Si l'emploi d'un cordon de rallonge est nécessaire, un cordon à trois fils doit être employé pour les outils mis à la terre. Pour les outils à double isolation, on peut employer indifféremment un cordon de rallonge à deux ou trois fils. Plus la longueur du cordon entre l'outil et la prise de courant est grande, plus le calibre du cordon doit être élevé. L'utilisation d'un cordon de rallonge incorrectement calibré entraîne une chute de voltage résultant en une perte de puissance qui risque de détériorer l'outil. Reportez-vous au tableau ci-contre pour déterminer le calibre minimum du cordon.

Moins le calibre du fil est élevé, plus sa conductivité est bonne. Par exemple, un cordon de calibre 14 a une meilleure conductivité qu'un cordon de calibre 16. Lorsque vous utilisez plus d'une rallonge pour couvrir la distance, assurez-vous que chaque cordon possède le calibre minimum requis. Si vous utilisez un seul cordon pour brancher plusieurs outils, additionnez le chiffre d'intensité (ampères) inscrit sur la fiche signalétique de chaque outil pour obtenir le calibre minimal requis pour le cordon.

### Directives pour l'emploi des cordons de rallonge

- Si vous utilisez une rallonge à l'extérieur, assurez-vous qu'elle est marquée des sigles « W-A » (« W » au Canada) indiquant qu'elle est adéquate pour usage extérieur.
- Assurez-vous que le cordon de rallonge est correctement câblé et en bonne condition. Remplacez tout cordon de rallonge détérioré ou faites-le remettre en état par une personne compétente avant de vous en servir.
- Tenez votre cordon de rallonge à l'écart des objets ranchants, des sources de grande chaleur et des endroits humides ou mouillés.

### Calibres minimaux recommandés pour les cordons de rallonge\*

Fiche signalétique Ampères	Longueur du cordon de rallonge (m)					
	7,6	15,2	22,8	30,4	45,7	60,9
0 - 5,0	16	16	16	14	12	12
5,1 - 8,0	16	16	14	12	10	--
8,1 - 12,0	14	14	12	10	--	--
12,1 - 15,0	12	12	10	10	--	--
15,1 - 20,0	10	10	10	--	--	--

\* Basé sur sur une chute de voltage limite de 5 volts à 150% de l'intensité moyenne de courant.

**LISEZ ATTENTIVEMENT CES INSTRUCTIONS  
ET CONSERVEZ-LES POUR LES  
CONSULTER AU BESOIN.**

### **AVERTISSEMENT!**

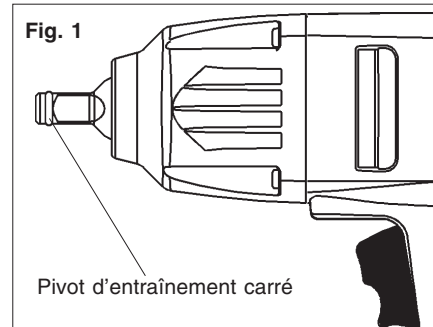
Pour réduire les risques de blessures, débranchez toujours l'outil avant d'y effectuer des réglages, d'y attacher ou d'enlever les accessoires. L'usage d'accessoires autres que ceux qui sont spécifiquement recommandés pour cet outil peut comporter des risques.

### **AVERTISSEMENT!**

N'utilisez que des douilles ou des accessoires spécifiquement calibrés pour usage avec ce genre de clé. D'autres douilles ou accessoires pourraient se briser ou éclater et causer des blessures graves.

### Installation et retrait des accessoires (Fig. 1)

Cette clé à percussion est conçue uniquement pour être utilisée avec des douilles calibrées pour la percussion et pourvues d'un pivot d'entraînement carré de 1/2". D'autres genres de douilles pourraient éclater ou se briser et constituer un risque de blessures.



1. Pour fixer les douilles ou tout autre accessoire à entraînement par pivot carré de 1/2", il suffit de les encliqueter en place sur le pivot.
2. Pour retirer l'accessoire, tirez-le directement hors du pivot.

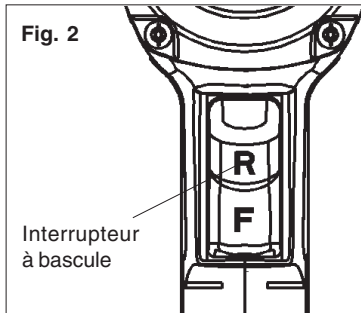


**AVERTISSEMENT!**

Pour minimiser les risques de blessures, portez des lunettes à coques latérales.

**Démarrage et arrêt de l'outil (Fig. 2)**

Les clés à percussion sont pourvues d'une commande à bascule pour actionner la rotation avant ou inverse.



1. Pour la rotation **avant** (sens horaire), poussez la partie inférieure de la commande.
2. Pour la rotation **inverse** (sens antihoraire), poussez la partie supérieure de la commande.

**NB :** Pour éviter tout dommage au moteur ou au mécanisme de l'outil, laissez le moteur s'arrêter complètement avant d'inverser la rotation.



**AVERTISSEMENT!**

Pour minimiser les risques de blessures, gardez les mains à distance de la mèche et des pièces en mouvement.



**AVERTISSEMENT!**

Pour réduire les risques d'explosion, de chocs électriques et de dommages à la propriété, vérifiez toujours que l'aire de travail ne contient pas de tuyaux ou de câbles cachés avant de commencer à percer.



**AVERTISSEMENT!**

Pour réduire les risques de blessures, saisissez l'outil **seulement** par la poignée et par les surfaces isolées, de couleur noir. Ne pas tenir le carter d'engrenages, de couleur grise, pendant la percussion ou le perçage.

**Techniques de serrage**

Le degré de serrage du boulon, de la vis ou de l'écrou est proportionnel à la durée de la percussion. Pour éviter d'endommager les fixations ou le matériau, limitez la durée de la percussion. Soyez particulièrement prudent lorsque vous serrez des fixations de petit calibre qui requièrent moins de percussion.

Pratiquez le serrage à percussion avec divers types de fixations afin d'apprendre quelle est la durée de percussion nécessaire pour obtenir le couple désiré. Vérifiez le serrage à l'aide d'une clé dynamométrique. Si la fixation est trop serrée, réduisez la durée de percussion. Si la fixation n'est pas serrée à fond, augmentez la durée de percussion.

Deux secondes de percussion suffisent habituellement pour serrer un boulon de 10 mm (3/8") et une seconde pour un de 8 mm (5/16"). Cependant, l'huile, la poussière ou d'autres saletés sur le filetage ou sous la tête de la fixation peuvent affecter le degré de serrage.

Le couple nécessaire pour desserrer une fixation est, en moyenne, 75 % à 80 % du couple nécessaire pour la serrer, selon l'état des surfaces en contact.

Pour les simples tâches de joint d'étanchéité, percez chaque fixation pour un serrage relativement léger et terminez le serrage à la main à l'aide de la clé dynamométrique.

## MAINTENANCE



### AVERTISSEMENT!

Pour minimiser les risques de blessures, débranchez toujours l'outil avant d'y effectuer des travaux de maintenance. Ne faites pas vous-même le démontage de l'outil ni le rebobinage du système électrique. Consultez un centre de service **MILWAUKEE** accrédité pour toutes les réparations.

#### Entretien de l'outil

Gardez l'outil en bon état en adoptant un programme d'entretien ponctuel. Avant de vous en servir, examinez son état en général. Inspectez-en la garde, interrupteur, cordon et cordon de rallonge pour en déceler les défauts. Vérifiez le serrage des vis, l'alignement et le jeu des pièces mobiles, les vices de montage, bris de pièces et toute autre condition pouvant en rendre le fonctionnement dangereux. Si un bruit ou une vibration insolite survient, arrêtez immédiatement l'outil et faites-le vérifier avant de vous en servir de nouveau. N'utilisez pas un outil défectueux. Fixez-y une étiquette marquée « HORS D'USAGE » jusqu'à ce qu'il soit réparé (voir « Réparations »).

Normalement, il ne sera pas nécessaire de lubrifier l'outil avant que le temps ne soit venu de remplacer les balais. Après une période pouvant aller de 6 mois à un an, selon l'usage, retournez votre outil à un centre de service **MILWAUKEE** accrédité pour obtenir les services suivants :

- Lubrification
- Inspection et remplacement des balais
- Inspection et nettoyage de la mécanique (engrenages, pivots, coussinets, boîtier etc.)
- Inspection électrique (interrupteur, cordon, induit etc.)
- Vérification du fonctionnement électromécanique



### AVERTISSEMENT!

Pour minimiser les risques de blessures, choc électrique et dommage à l'outil, n'immergez jamais l'outil et ne laissez pas de liquide s'y infiltrer.

#### Nettoyage

Débarrassez les événements des débris et de la poussière. Gardez les poignées de l'outil propres, à sec et exemptes d'huile ou de graisse. Le nettoyage de l'outil doit se faire avec un linge humide et un savon doux. Certains nettoyeurs tels l'essence, la térébenthine, les diluants à laque ou à peinture, les solvants chlorés, l'ammoniaque et les détergents d'usage domestique qui en contiennent pourraient détériorer le plastique et l'isolation des pièces. Ne laissez jamais de solvants inflammables ou combustibles auprès des outils.

#### Réparations

Si votre outil doit être réparé, retournez-le en entier au centre-service le plus près selon la liste apparaissant à la dernière page de ce manuel.

## GARANTIE

#### Politique de garantie limitée et de service de Chicago Pneumatic Tool Company

Les produits de Chicago Pneumatic Tool Company (« CP ») sont garantis contre tout défaut de matière ou de main d'œuvre pendant un (1) an à partir de la date d'achat. Cette garantie s'applique seulement aux produits neufs achetés de CP ou de ses concessionnaires autorisés. Cette garantie ne s'applique évidemment pas aux produits qui ont été maltraités, modifiés ou réparés par des personnes ou des services autres que ceux de CP et de ses représentants de service autorisés.

Si un produit CP s'avère être défectueux en matière ou en main d'œuvre pendant l'année suivant sa date d'achat, le renvoyer à tout Centre de service autorisé\*, transport payé, en incluant votre nom, votre adresse, une preuve adéquate de la date d'achat et une brève description du défaut. CP (ou ses filiales) s'engagent à réparer ou remplacer sans frais, à leur discrétion, les produits défectueux. Les réparations ou les remplacements sont garantis tel que décrit ci-dessus pour la portion restante de la période de garantie. La seule responsabilité de CP, et votre seul recours dans le cadre de cette garantie, est limitée à la réparation ou au remplacement du produit défectueux.

**LA GARANTIE QUI PRÉCÈDE EST EXCLUSIVE ET REMPLACE TOUTE AUTRE GARANTIE OU CONDITION, ÉCRITE OU VERBALE, EXPLICITE OU IMPLICITE, INCLUANT, MAIS SANS S'Y LIMITER, TOUTES LES GARANTIES, CONDITIONS, VALEURS MARCHANDES OU APPLICATIONS À UN USAGE PARTICULIER, POUR LESQUELLES CP DÉCLINE TOUTE RESPONSABILITÉ EN VERTU DE LA PRÉSENTE. LA PRÉSENTE DÉCLINE TOUTE RESPONSABILITÉ POUVANT RÉSULTER DE DOMMAGES INDIRECTS, CONSÉCUTIFS OU SPÉCIAUX, OU DE TOUT AUTRE DOMMAGE, COÛT OU DÉPENSE, À L'EXCEPTION DES COÛTS OU DES DÉPENSES DE REMPLACEMENT OU DE RÉPARATION.**

Utiliser uniquement des pièces autorisées. Tout dommage ou mauvais fonctionnement résultant de l'utilisation d'une pièce non autorisée n'est pas couvert par la garantie. Cette garantie donne des droits légaux spécifiques. Les consommateurs peuvent jouir d'autres droits qui varient d'une juridiction à l'autre.

Chicago Pneumatic Tool Company  
1800 Overview Drive  
Rock Hill, South Carolina 29730-7463

\* Les produits CP décrits dans ce manuel peuvent être envoyés pour fins de réparation à toute filiale ou à tout Centre de service **MILWAUKEE ELECTRIC TOOL CORPORATION** ou à toute station de service autorisée de **MILWAUKEE**. Voir au verso pour obtenir des informations sur la façon d'identifier le centre le plus près de chez vous.

## REGLAS GENERALES DE SEGURIDAD



**¡ADVERTENCIA!**

### LEA Y ENTIENDA TODAS LAS INSTRUCCIONES


El no seguir las instrucciones a continuación puede ocasionar una descarga eléctrica, incendio y/o lesiones graves.

### GUARDE ESTAS INSTRUCCIONES

#### AREA DE TRABAJO

1. **Mantenga el área de trabajo limpia e iluminada.** Las mesas de trabajo desordenadas y las áreas con poca iluminación propician los accidentes.
2. **No opere las herramientas con motor en ambientes explosivos, tales como los ambientes con líquidos, gases o polvo inflamables.** Las herramientas con motor producen chispas que pueden inflamar el polvo o los gases.
3. **Mantenga a las personas alejadas mientras esté utilizando una herramienta con motor.** Las distracciones pueden causar la pérdida del control de la herramienta. Proteja a las demás personas en el área de trabajo contra escombros, tales como astillas y chispas. Instale barreras si se necesitan.

#### SEGURIDAD ELECTRICA

4. **Las herramientas conectadas a tierra deben estar enchufadas en un toma corriente que esté instalado correctamente y conectado a tierra de acuerdo con todos los códigos y ordenanzas vigentes. Nunca retire la clavija de conexión a tierra o modifique el enchufe de ninguna manera. No use enchufes adaptadores. Consulte a un electricista capacitado si tiene dudas para asegurar que el tomacorriente esté correctamente conectado a tierra.** Si las herramientas sufren fallas eléctricas, la conexión a tierra proporciona una trayectoria de baja resistencia para que el usuario no quede expuesto a la electricidad.
5. **Las herramientas con aislamiento doble están equipadas con un enchufe polarizado (una clavija es más ancha que la otra). Hay una sola manera de introducir este enchufe en una toma polarizada. Si el enchufe no se ajusta completamente en la toma, dé vuelta el enchufe. Si el problema persiste, póngase en contacto con un electricista calificado para que instale una toma polarizada. No cambie la toma de ninguna manera.** El aislamiento doble  elimina la necesidad de un cable de energía con conexión a tierra con 3 alambres y la de un sistema de suministro de energía con conexión a tierra.
6. **Evite contacto físico con las superficies conectadas a tierra, tales como tuberías, radiadores, cocinas y refrigeradores.** Existe un riesgo de un choque eléctrico mayor si su cuerpo está expuesto a tierra.
7. **No exponga las herramientas eléctricas a condiciones de lluvia o humedad.** El agua que entra en una herramienta eléctrica aumentará el riesgo de choque eléctrico.
8. **No maltrate el cable. Nunca use el cable para transportar las herramientas ni para sacar el enchufe de la toma eléctrica. Mantenga el cable lejos de calefacción, petróleo, bordes afilados o cualquier parte movable. Reemplace inmediatamente cualquier cable dañado.** Los cables dañados aumentan el riesgo de choque eléctrico.
9. **Al operar una herramienta eléctrica a la intemperie, use un cordón de extensión para la intemperie marcado "W-A" o "W".** Estos cordones están aprobados para usos exteriores y reducen el riesgo del choque eléctrico.

#### SEGURIDAD PERSONAL

10. **Esté alerta. Revise su trabajo y use el sentido común. No opere su herramienta cuando esté cansado, distraído o bajo la influencia de drogas alcohol o medicamentos.** Un momento de descuido cuando operando un herramienta electrica puede resultar en lesiones graves.

11. **Utilice ropa adecuada.** No use ropa suelta o joyas. Mantenga el cabello largo, ropa y guantes alejados de las partes móviles.
12. **Evite los arranques accidentales.** Verifique que el interruptor esté apagado antes de enchufar la herramienta. Transportar la herramienta por el gatillo o enchufarla con el interruptor encendido puede ocasionar accidentes
13. **Saque las llaves de ajuste antes de encender la herramienta.** Una llave sujeta a una parte en movimiento puede causar lesiones.
14. **No se esfuerce, mantenga el control y el balance en todo momento.** Mantenga siempre una postura y un balance adecuados. Una postura y un balance correctos otorga un mejor control ante situaciones inesperadas.
15. **Utilice el equipo de seguridad. Siempre use protección para los ojos.** Se debe usar una máscara contra el polvo, zapatos de seguridad antidelizantes, casco y protector para los oídos, cuando las condiciones así lo requieran.

#### USO Y MANTENIMIENTO DE LA HERRAMIENTA

16. **Utilice abrazaderas u otra manera práctica para sujetar y apoyar el material en una plataforma estable.** Tener el material en la mano o contra el cuerpo es inestable y puede causar la pérdida del control.
17. **No fuerce la herramienta. Utilice la herramienta apropiada para la aplicación.** La herramienta realizará el trabajo de manera más eficaz y segura, si la opera a la velocidad apropiada.
18. **Si el gatillo no enciende o apaga la herramienta, no utilice la herramienta.** Una herramienta que no se puede controlar con el gatillo es peligrosa y debe ser reparada.
19. **Desconecte el enchufe de la fuente de energía antes de realizar cualquier ajuste, cambiar los accesorios o almacenar la herramienta.** Tales medidas precautorias de seguridad reducen el riesgo de encender la herramienta accidentalmente.
20. **Almacene las herramientas que no se estén usando fuera del alcance de los niños y de personas que no estén capacitadas.** Es peligroso permitir a los usuarios utilizar las herramientas, si no están capacitados previamente.
21. **Mantenga las herramientas en buenas condiciones. Las herramientas cortadoras deben mantenerse afiladas y limpias.** Esto reduce el riesgo de que la herramienta se atasque y facilita el control de la misma. No utilice una herramienta dañada. Colóquela una etiqueta que diga "No Debe Usarse" hasta que sea reparada.
22. **Verifique que las partes en movimiento estén alineadas y no estén atascadas. También debe verificarse que las partes no estén rotas o tengan cualquier otra condición que pueda afectar el funcionamiento de la herramienta. Si está dañada, se debe reparar la herramienta antes de utilizarla.** Muchos accidentes se deben al mantenimiento incorrecto de la herramienta.
23. **Utilice solamente los accesorios recomendados por el fabricante para ese modelo.** Los accesorios que son apropiados para una herramienta pueden aumentar el riesgo de lesiones cuando se usan con otra herramienta.

#### SERVICIO







24. **El servicio de mantenimiento debe ser realizado solamente por personal técnico debidamente capacitado.** El servicio o mantenimiento realizado por personal no calificado puede aumentar el riesgo de lesiones.

25. Cuando realice el servicio de mantenimiento, utilice solamente repuestos idénticos. Siga las instrucciones en la sección de mantenimiento de este manual. El uso de partes no autorizadas o el incumplimiento de las instrucciones de mantenimiento puede aumentar el riesgo de descarga eléctrica o lesiones.

## REGLAS ESPECIFICAS DE SEGURIDAD - LLAVE DE IMPACTO

1. **Sostenga la herramienta por las superficies aisladas cuando realice una operación donde la herramienta cortadora puede entrar en contacto con alambres que no estén visibles o su porpio cordón.** Hacer contacto con un alambre con corriente hará que las partes metálicas expuestas de la herramienta también tengan corriente y produzcan una descarga sobre el operador.
2. **Guarde las etiquetas y placas de especificaciones.** Estas tienen información importante. Si son ilegibles o si no se pueden encontrar, póngase en contacto con un centro de servicio de *MILWAUKEE* para una refacción gratis.
3. **¡ADVERTENCIA!** Algunas partículas de polvo resultantes del lijado mecánico, aserrado, esmerilado, taladrado y otras actividades relacionadas a la construcción, contienen sustancias químicas que se saben ocasionan cáncer, defectos congénitos u otros daños al aparato reproductivo. A continuación se citan algunos ejemplos de tales sustancias químicas:
  - plomo proveniente de pinturas con base de plomo
  - sílice cristalino proveniente de ladrillos, cemento y otros productos de albañilería y
  - arsénico y cromo provenientes de madera químicamente tratada.

El riesgo que usted sufre debido a la exposición varía dependiendo de la frecuencia con la que usted realiza estas tareas. Para reducir la exposición a estas sustancias químicas: trabaje en un área bien ventilada, y utilice equipo de seguridad aprobado como, por ejemplo, máscaras contra el polvo que hayan sido específicamente diseñadas para filtrar partículas microscópicas.

Simbología		Especificaciones							
	Doble aislamiento	<b>Catálogo No.</b>	<b>Volts</b>	<b>Amperios</b>	<b>Hertz</b>	<b>rpm</b>	<b>Zanco de Mardo Cuadrado</b>	<b>Impactos por Minuto</b>	<b>Entrega Maxima de Torque</b>
	Volts corriente alterna/ corriente directa								
	Amperios								
	Impactos por minuto bajo carga (IPM)								
	Underwriters Laboratories, Inc.								
	Asociación de Normas Canadiense								
		<b>CP8750</b>	120 ca/cd	7	60	1 800	1/2"	2 600	407 Nm (300 ft-lbs.)

## DESCRIPCIÓN FUNCIONAL

1. Zanco de mando cuadrado
2. Interruptor oscilante
3. Cordón



## TIERRA



### ¡ADVERTENCIA!

Puede haber riesgo de descarga eléctrica si se conecta el cable de conexión de puesta a tierra incorrectamente. Consulte con un electricista certificado si tiene dudas respecto a la conexión de puesta a tierra del tomacorriente. No modifique el enchufe que se proporciona con la herramienta. Nunca retire la clavija de conexión de puesta a tierra del enchufe. No use la herramienta si el cable o el enchufe está dañado. Si está dañado antes de usarlo, llévelo a un centro de servicio MILWAUKEE para que lo reparen. Si el enchufe no se acopla al tomacorriente, haga que un electricista certificado instale un tomacorriente adecuado.

### Herramientas con conexión a tierra: Herramientas con enchufes de tres clavijas

Las herramientas marcadas con la frase "Se requiere conexión de puesta a tierra" tienen un cable de tres hilos y enchufes de conexión de puesta a tierra de tres clavijas. El enchufe debe conectarse a un tomacorriente debidamente conectado a tierra (véase la Figura A). Si la herramienta se avería o no funcionara correctamente, la conexión de puesta a tierra proporciona un trayecto de baja resistencia para desviar la corriente eléctrica de la trayectoria del usuario, reduciendo de este modo el riesgo de descarga eléctrica.

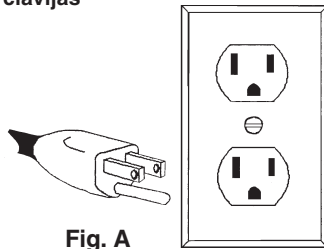


Fig. A

La clavija de conexión de puesta a tierra en el enchufe está conectada al sistema de conexión de puesta a tierra de la herramienta a través del hilo verde dentro del cable. El hilo verde debe ser el único hilo conectado al sistema de conexión de puesta a tierra de la herramienta y nunca se debe unir a una terminal energizada.

Su herramienta debe estar enchufada en un tomacorriente apropiado, correctamente instalado y conectado a tierra según todos los códigos y reglamentos. El enchufe y el tomacorriente deben asemejarse a los de la Figura A.

### Herramientas con doble aislamiento: Herramientas con clavijas de dos patas

Las herramientas marcadas con "Doble aislamiento" no requieren conectarse "a tierra". Estas herramientas tienen un sistema aislante que satisface los estándares de OSHA y llena los estándares aplicables de UL (Underwriters Laboratories), de la Asociación Canadiense de Estándares (CSA) y el Código Nacional de Electricidad. Las herramientas con doble aislamiento pueden ser usadas en cualquiera de los toma corriente de 120 Volt mostrados en las Figuras B y C.

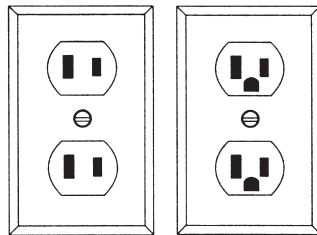


Fig. B

Fig. C

## EXTENSIONES ELÉCTRICAS

Las herramientas que deben conectarse a tierra cuentan con clavijas de tres patas y requieren que las extensiones que se utilicen con ellas sean también de tres cables. Las herramientas con doble aislamiento y clavijas de dos patas pueden utilizarse indistintamente con extensiones de dos a tres cables. El calibre de la extensión depende de la distancia que exista entre la toma de la corriente y el sitio donde se utilice la herramienta. El uso de extensiones inadecuadas puede causar serias caídas en el voltaje, resultando en pérdida de potencia y posible daño a la herramienta. La tabla que aquí se ilustra sirve de guía para la adecuada selección de la extensión.

Mientras menor sea el número del calibre del cable, mayor será la capacidad del mismo. Por ejemplo, un cable calibre 14 puede transportar una corriente mayor que un cable calibre 16. Cuando use mas de una extensión para lograr el largo deseado, asegúrese que cada una tenga al menos, el mínimo tamaño de cable requerido. Si está usando un cable de extensión para mas de una herramienta, sume los amperes de las varias placas y use la suma para determinar el tamaño mínimo del cable de extensión.

### Guías para el uso de cables de extensión

- Si está usando un cable de extensión en sitios al aire libre, asegúrese que está marcado con el sufijo "W-A" ("W" en Canadá) el cual indica que puede ser usado al aire libre.
- Asegúrese que su cable de extensión está correctamente cableado y en buenas condiciones eléctricas. Cambie siempre una extensión dañada o hágala reparar por una persona calificada antes de volver a usarla.
- Proteja su extensión eléctrica de objetos cortantes, calor excesivo o areas mojadas.

### Calibre mínimo recomendado para cables de extensiones eléctricas\*

Amperes (En la placa)	Largo de cable de Extensión en(m)					
	7,6	15,2	22,8	30,4	45,7	60,9
0 - 5,0	16	16	16	14	12	12
5,1 - 8,0	16	16	14	12	10	--
8,1 - 12,0	14	14	12	10	--	--
12,1 - 15,0	12	12	10	10	--	--
15,1 - 20,0	10	10	10	--	--	--

\* Basado en limitar la caída en el voltaje a 5 volts al 150% de los amperes.

### LEA Y GUARDE TODAS LAS INSTRUCCIONES PARA FUTURAS REFERENCIAS.



## ENSAMBLAJE DE LA HERRAMIENTA



### ¡ADVERTENCIA!

Para reducir el riesgo de lesiones, desconecte siempre la herramienta antes de fijar o retirar accesorios, o antes de efectuar ajustes. Utilice sólo los accesorios específicamente recomendados. El uso de otros accesorios puede ser peligroso.

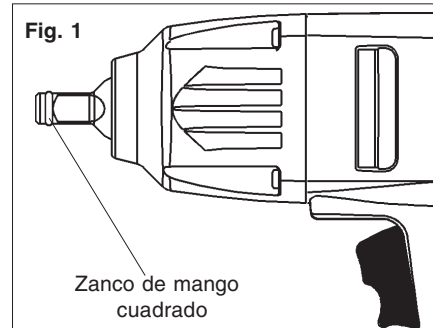


### ¡ADVERTENCIA!

Use solamente dados o sockets y otros accesorios diseñados para utilizarse específicamente en llaves o herramientas de impacto. Cualquier otro tipo de socket o accesorio podría romperse y ocasionar lesiones.

### Colocación y retiro de accesorios (Fig. 1)

Esta llave de impacto debe ser usada con sockets o dados diseñados para llaves de impacto y que tengan con un zanco de mango cuadrado de 1/2". Cualquier otro tipo de socket o dado podría romperse o cuartearse y ocasionar lesiones.



1. Para colocar un socket o algún otro accesorio, presione el accesorio en el zanco de mango cuadrado hasta que ajuste en su lugar.
2. Para retirar el accesorio, tire de él hasta sacarlo del zanco de mango cuadrado.

## OPERACION

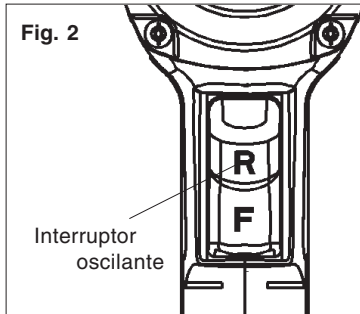


**¡ADVERTENCIA!**

Para reducir el riesgo de lesiones, use siempre lentes de seguridad o anteojos con protectores laterales.

### Arranque y paro de la herramienta (Fig. 2)

Estas llaves de impacto están equipadas con un interruptor oscilante que ofrece tanto rotación hacia adelante como en reversa.



1. Para rotación hacia adelante (en el sentido de las agujas del reloj), tire de la parte inferior del interruptor.
2. Para rotación en reversa (en sentido contrario a las agujas del reloj), tire de la parte superior del interruptor.

**NOTA:** Para prevenir dañar el motor y el mecanismo interno, permita que el motor se detenga completamente antes de cambiar el sentido de la rotación.



**¡ADVERTENCIA!**

Para reducir el riesgo de una lesión, mantenga las manos lejos de la broca y de cualquier otra parte en movimiento.



**¡ADVERTENCIA!**

Para reducir el riesgo de explosión, electrocución y daño a la propiedad, antes de taladrar verifique siempre que en el área de trabajo no hayan tuberías o cables ocultos.



**¡ADVERTENCIA!**

Para reducir el riesgo de lesiones personales, sujete la herramienta únicamente por el mango y por las superficies aisladas negro. No sujete la caja de engranajes gris durante el impacto o taladrado.

### Técnicas para impactar

Mientras más tiempo se impacta a un tornillo, tuerca o birlo, más apretado quedará. Para ayudar a prevenir dañar tanto el material como los sujetadores, evite impactarlos en exceso. Sea particularmente cuidadoso cuando impacte sujetadores que sean de tamaño pequeño ya que estos requerirán menos impactos para alcanzar el torque deseado.

Practique impactando con diferentes tipos de sujetadores para que observe el tiempo que se requiere impactar para alcanzar el torque deseado. Verifique el grado de apriete usando un torquímetro de mano. Si los sujetadores quedaron muy apretados, reduzca el tiempo de impacto. Si no están suficientemente apretados, aumente el tiempo de impacto.

El impacto durante dos segundos es generalmente suficiente para un tornillo de 10 mm (3/8") y un segundo para un tornillo de 8 mm (5/16"). Sin embargo, el aceite, la suciedad, el óxido u otro material en los hilos o bajo la cabeza del sujetador afecta el grado de apriete.

El torque requerido para aflojar un sujetador está, en promedio, entre el 75% y el 80% de torque que fue requerido para apretarlo, dependiendo esto de las condiciones de las superficies de contacto.

En los trabajos que lleven juntas ligeras, lleve cada sujetador hasta un torque relativamente bajo y, luego, use una llave de torque manual para el apriete final.

## MANTENIMIENTO



### ¡ADVERTENCIA!

Para reducir el riesgo de lesiones, desconecte siempre la herramienta antes de darle cualquier mantenimiento. Nunca desarme la herramienta ni trate de hacer modificaciones en el sistema eléctrico de la misma. Acuda siempre a un Centro de Servicio **MILWAUKEE** para TODAS las reparaciones.

### Mantenimiento de las herramientas

Adopte un programa regular de mantenimiento y mantenga su herramienta en buenas condiciones. Antes de usarla, examine las condiciones generales de la misma. Inspeccione guardas, interruptores, el cable de la herramienta y el cable de extensión. Busque tornillos sueltos o flojos, defectos de alineación y dobleces en partes móviles, así como montajes inadecuados, partes rotas y cualquier otra condición que pueda afectar una operación segura. Si detecta ruidos o vibraciones anormales, apague la herramienta de inmediato y corrija el problema antes de volver a usarla. No utilice una herramienta dañada. Colóquese una etiqueta que diga "NO DEBE USARSE" hasta que sea reparada (vea "Reparaciones").

Bajo condiciones normales, no se requiere lubricación hasta que haya que cambiar los carbones. Después de 6 meses a un año, dependiendo del uso dado, envíe su herramienta al Centro de Servicio **MILWAUKEE** más cercano para que le hagan:

- Lubricación
- Inspección y cambio de carbones
- Inspección mecánica y limpieza (engranes, flechas, baleros, carcarza, etc.)
- Inspección eléctrica (interruptor, cable, armadura, etc.)
- Probarla para asegurar una operación mecánica y eléctrica adecuada.



### ¡ADVERTENCIA!

Para reducir el riesgo de lesiones, descarga eléctrica o daño a la herramienta, nunca la sumerja en líquidos ni permita que estos fluyan dentro de la misma.

### Limpieza

Limpie el polvo y suciedad de las ventilas. Mantenga las empuñaduras de la herramienta limpias, secas y libres de aceite y grasa. Use sólo jabón neutro y un trapo húmedo para limpiar su herramienta ya que algunas sustancias y disolventes limpiadores pueden ocasionar daños a materiales plásticos y partes aislantes. Algunos de estos incluyen: gasolina, trementina, diluyente para barniz, diluyente para pintura, disolventes limpiadores clorados, amoníaco, y detergentes caseros que contengan amoníaco.

### Reparaciones

Si se daña o descompone, envíe la herramienta y todos sus accesorios al centro de servicio más cercano de los listados en la cubierta posterior de este manual del operario.

## GARANTIA

### Política de Servicio y Garantía Limitada de Chicago Pneumatic Tool Company

Se garantiza que los productos de Chicago Pneumatic Tool Company ("CP") están libres de fallas en el material y la mano de obra por un año a partir de la fecha de compra. Esta garantía aplica únicamente a productos nuevos adquiridos de CP o sus distribuidores autorizados. Ciertamente, esta garantía no aplica a productos que hayan sido abusados, alterados o reparados por personas que no pertenezcan a CP o sean Representantes de Servicio Autorizados.

Si un producto CP se encuentra está defectuoso ya sea en el material o en la mano de obra dentro del transcurso de un año luego de su fecha de compra, devuélvalo con flete pagado a cualquier Centro de Servicio Autorizado\*, e incluya su nombre y dirección, prueba adecuada de la fecha de compra y una breve descripción del defecto. CP (o sus afiliados), a su discreción, repararán o reemplazarán los productos defectuosos libre de cargo. Las reparaciones o los reemplazos están garantizados según se describe anteriormente por la porción restante del período de la garantía original. La única responsabilidad de CP, y el remedio exclusivo de usted bajo esta Garantía, está limitada a la reparación o el reemplazo del producto defectuoso.

**LA GARANTIA QUE PRECEDE ES EXCLUSIVA Y SE CONFIERE EN LUGAR DE TODA OTRA GARANTIA, O CONDICION, VERBAL O ESCRITA, EXPRESA O IMPLICITA, INCLUYENDO, SIN LIMITACION, TODA GARANTIA O CONDICION, O COMERCIALIZACION O IDONEIDAD PARA UN PROPOSITO EN PARTICULAR, PARA LOS CUALES CP DECLINA TODA RESPONSABILIDAD EN VIRTUD DE LA PRESENTE. NO SE ASUMIRA RESPONSABILIDAD POR DAÑOS INCIDENTALES, CONSECUENTES O ESPECIALES, O CUALQUIER DAÑO, COSTO O GASTO, SALVO EL COSTO O GASTO DE REEMPLAZO O REPARACION.**

Utilice únicamente piezas autorizadas. La garantía no cubre el daño o funcionamiento incorrecto ocasionado por el uso de piezas no autorizadas. Esta garantía le otorga derechos legales específicos. Los consumidores podrían tener además otros derechos bajo la ley estatal o federal.

Chicago Pneumatic Tool Company  
1800 Overview Drive  
Rock Hill, South Carolina 29730-7463

\* Los productos CP descritos en este manual pueden enviarse a cualquier oficina principal/centro de servicio de **MILWAUKEE ELECTRIC TOOL CORPORATION** o estación de servicio autorizada **MILWAUKEE** para su reparación. Consulte el dorso para obtener información sobre cómo ubicar el centro más cercano a usted.

## **UNITED STATES**

### **MILWAUKEE Service of CP Products**

To locate the *factory* SERVICE CENTER or authorized service station nearest you, call

**1-800-414-6527**

TOLL FREE • NATIONWIDE

Monday-Friday • 8:00 AM - 4:30 PM • Local Time

In addition, there is a worldwide network of distributors ready to assist you. Check your "Yellow Pages" under "Tools-Electric" for the names of those nearest you.

For further information on *factory* SERVICE CENTER or authorized service station locations, visit the website at:

**[www.mil-electric-tool.com](http://www.mil-electric-tool.com)**

Product Service Support  
and Technical Information

**1-800-729-3878**

## **CANADA**

### **Service MILWAUKEE pour les produits CP**

#### **Milwaukee Electric Tool (Canada) Ltd**

755 Progress Avenue

Scarborough, Ontario M1H 2W7

Tel. (416) 439-4181

Fax: (416) 439-6210

En outre notre réseau mondial de distributeurs est à notre disposition de la clientèle d'un océan à l'autre. Consultez les pages jaunes de l'annuaire téléphonique pour trouver l'adresse du centre le plus près de chez vous.

In addition, there is a worldwide network of distributors ready to assist you. Check your "Yellow Pages" under "Tools-Electric" for the names of those nearest you.

## **MEXICO**

### **Servicios de MILWAUKEE para products de CP**

#### **Milwaukee Electric Tool**

División de : Atlas Copco Mexicana S.A. de C.V.

Blvd. Abraham Lincoln no. 13

Colonia Los Reyes Zona Industrial

Tlalnepantla, Edo. México C.P. 54073

Tels. 5565-1414 5565-4720

Fax: 5565-0925

Además se cuenta con una red nacional de distribuidores listos para apoyarlo. Vea en las "Páginas Amarillas" sección "Herramientas Eléctricas".